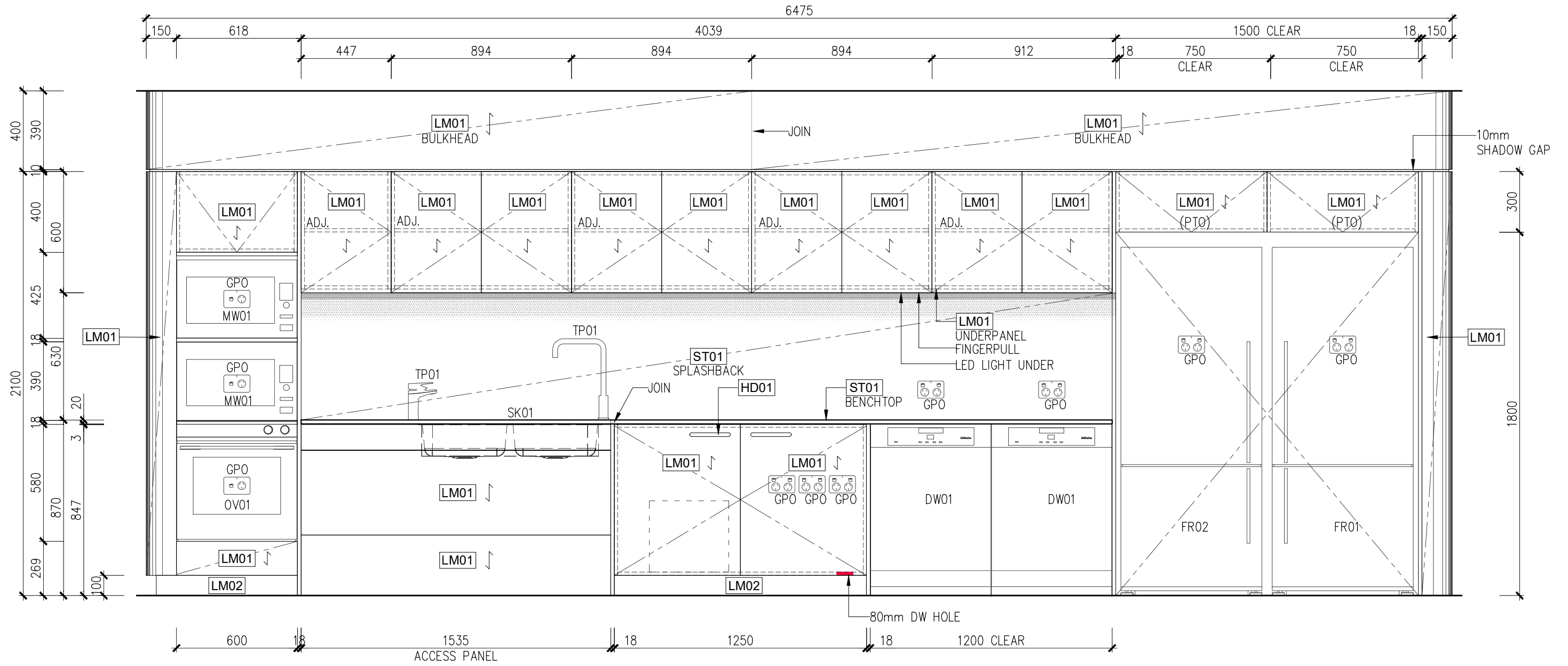


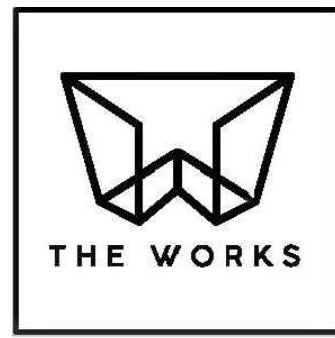
1 J02 BREAKOUT - PLAN
SCALE 1:20



DRAWING SCHEDULE			Project:		Job Number:	
No.	Revision	Date	AUSTRALIAN ORGAN & TISSUE AUTHORITY			
0	NEW DRAWING	04-10-23				
1	REVISIONS	11-10-23	Location: Level 3, Childers Street., Canberra, ACT, 2600		Scale: 1:20@A3	
			Description: J02 Breakout		Date: 11-10-23	
			Issue:		Drawn by: LBL	Drawing Number: 1.0



2 ELEVATION A
 SCALE 1:20

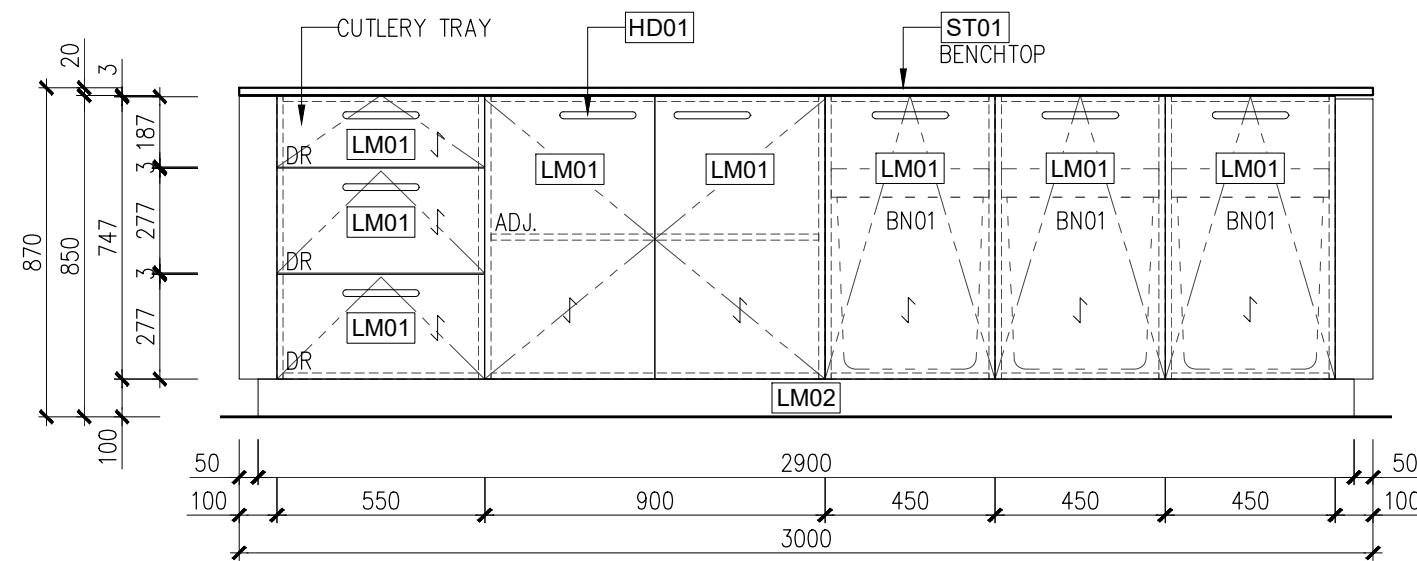


DRAWING SCHEDULE			Project:		Job Number:	
No.	Revision	Date	AUSTRALIAN ORGAN & TISSUE AUTHORITY			
0	NEW DRAWING	04-10-23				
1	REVISIONS	11-10-23				
			Location:		Date: 11-10-23	
			Description:		Scale: 1:20@A3	
			Issue:		Drawing Number: 1.1	
			Level 3, Childers Street., Canberra, ACT, 2600		Drawn by: LBL	
			J02 Breakout			

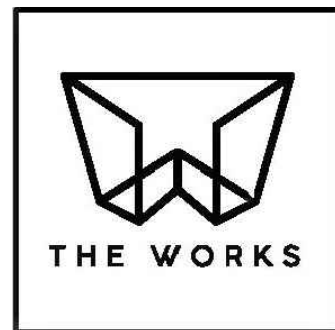
KEY	PART	MATERIALS	EDGING	THICKNESS
C	CARCASS	WHITE MELAMINE	1mm ABS	16.5mm
LM01	DOOR; BULKHEAD; PANEL	POLYTEC; NATURAL OAK; RAVINE FINISH	1mm ABS	18mm
LM02	KICKER	LAMINEX; BLACK 460; FLINT FINISH	1mm ABS	18mm
ST01	BENCHTOP	STONE ITALIANA; COSMOLITE; WHITE PLANET		20mm
HD01	HANDLE	MOMO LUV D HANDLE; 192mm; L0536.192.MBL; MATTE BLACK		

EQUIPMENT	SPECIFICATION
OVEN	FISHER & PAYKEL; 600mm ELECTRIC BUILT-IN OVEN; OB60SC7LEB1; W596xD565xD598
MICROWAVE	FISHER & PAYKEL; OM25BLSB1; W595xD388xH400mm
DISHWASHER	FISHER & PAYKEL CONTEMPORARY DISHWASHER; DW60FC4X1; W597xD600xH850-870mm
FRIDGE (FR01&FR02)	WESTINGHOUSE 425L BOTTOM MOUNT FRIDGE(LEFT&RIGHT); WBE4504BCL; W699xD769xH1725mm
BIN	HIDEAWAY WASTE BIN COMPACT SOFT-CLOSE 2x40 LTR (DOOR PULL); W418xD510xH615mm; 503.52.784

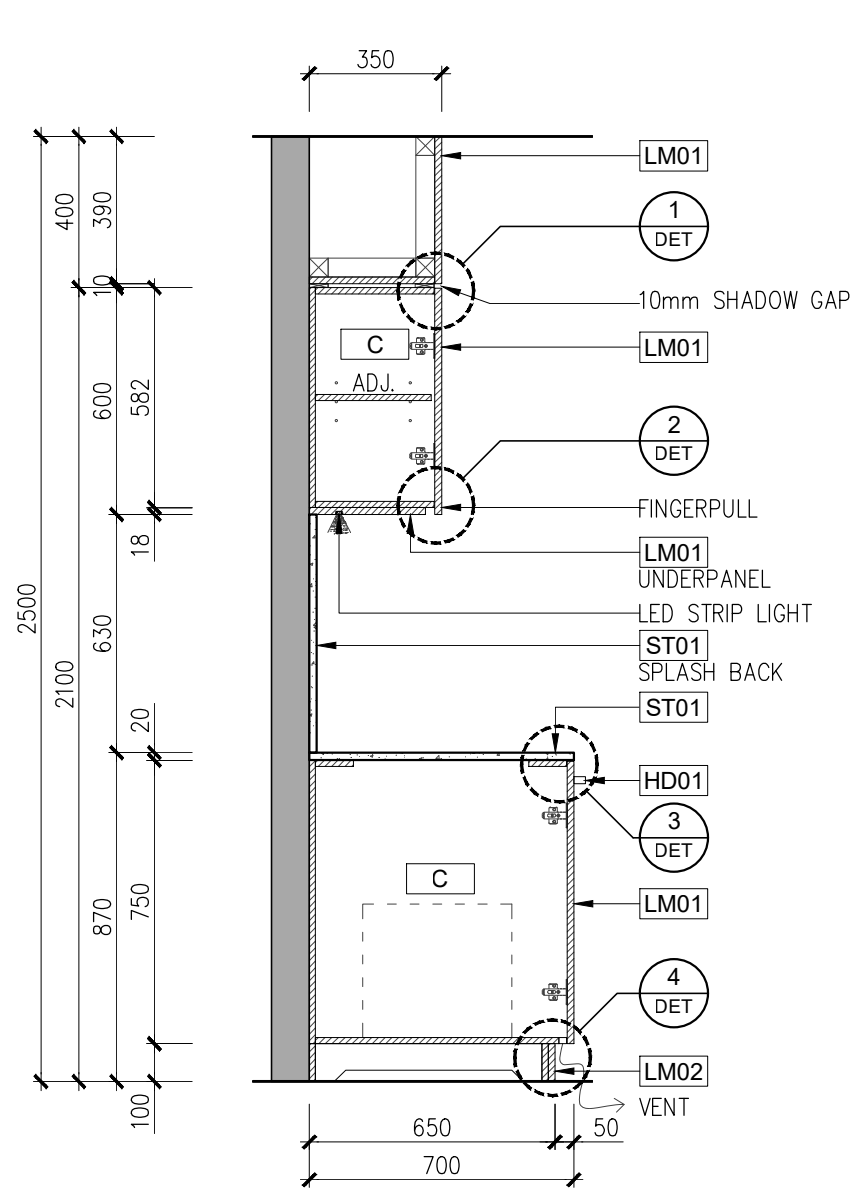
FIXTURES	SPECIFICATION
SINK	LUNA DOUBLE BOWL U/M; COCL200
TAP	ZIP HYDROTAP 4 IN 1 CLASSIC PLUS TAP WITH ARC MIXER; G5 BCHA60



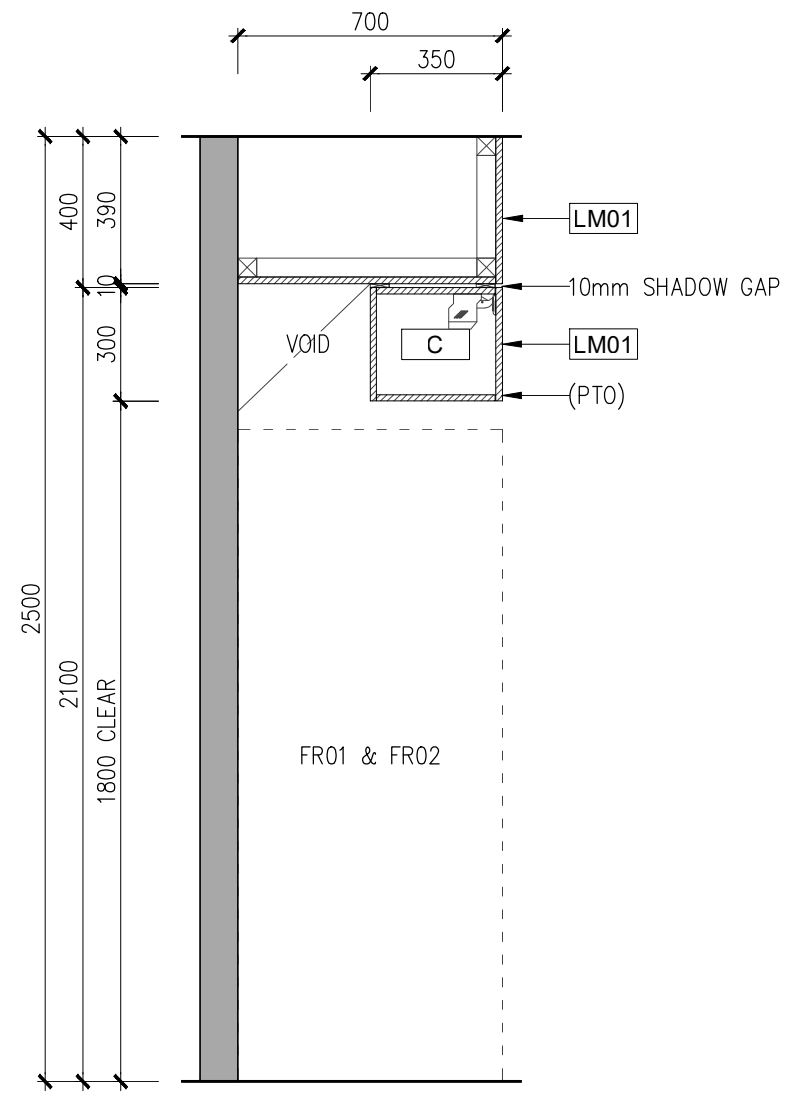
3 ELEVATION B
SCALE 1:20



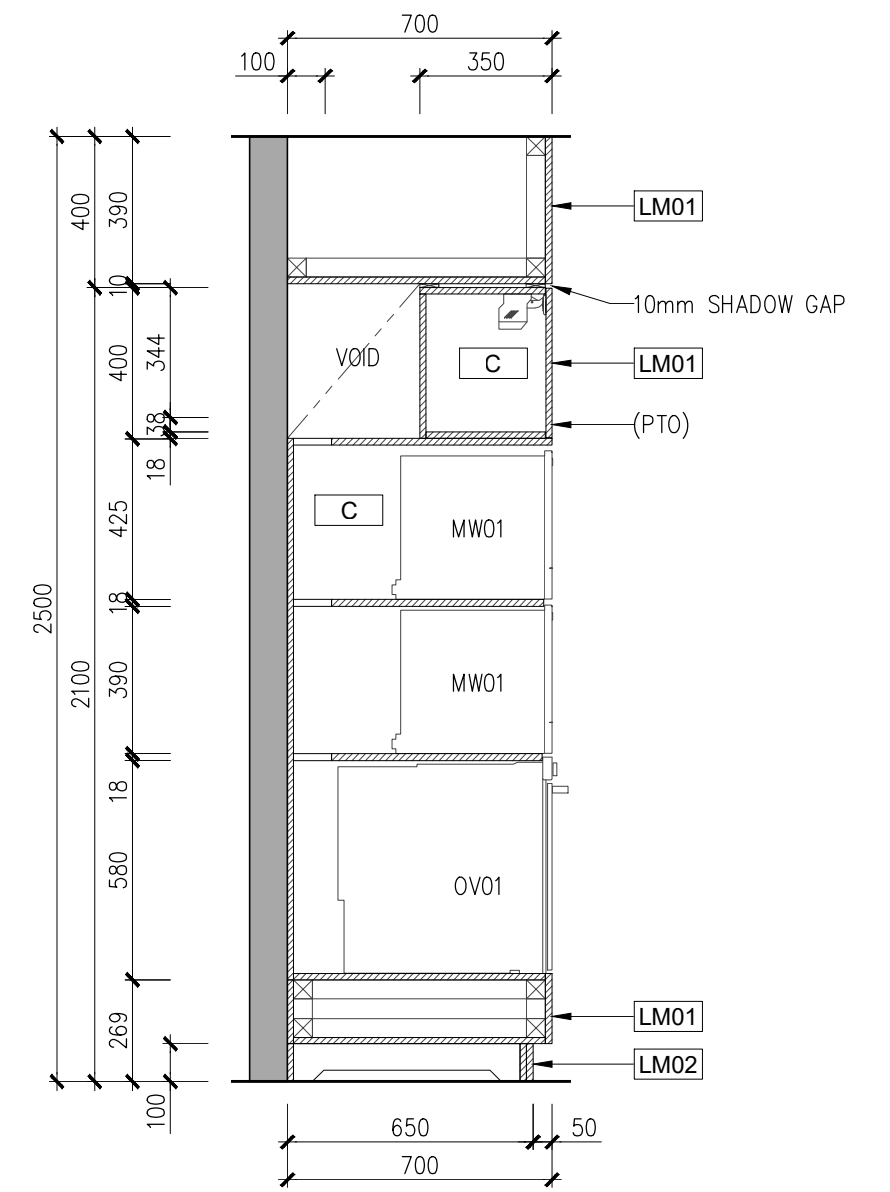
DRAWING SCHEDULE			Project:		Job Number:	
No.	Revision	Date	AUSTRALIAN ORGAN & TISSUE AUTHORITY			
0	NEW DRAWING	04-10-23				
1	REVISIONS	11-10-23				
			Location: Level 3, Childers Street., Canberra, ACT, 2600			
			Description: J02 Breakout		Date: 11-10-23	Scale: 1:20@A3
			Issue:		Drawn by: LBL	Drawing Number: 1.2



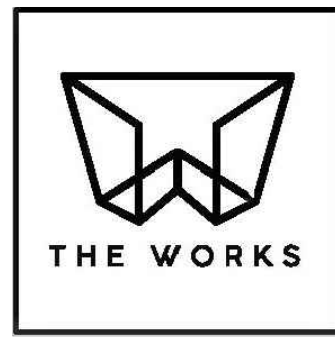
4 SECTION C
SCALE 1:20



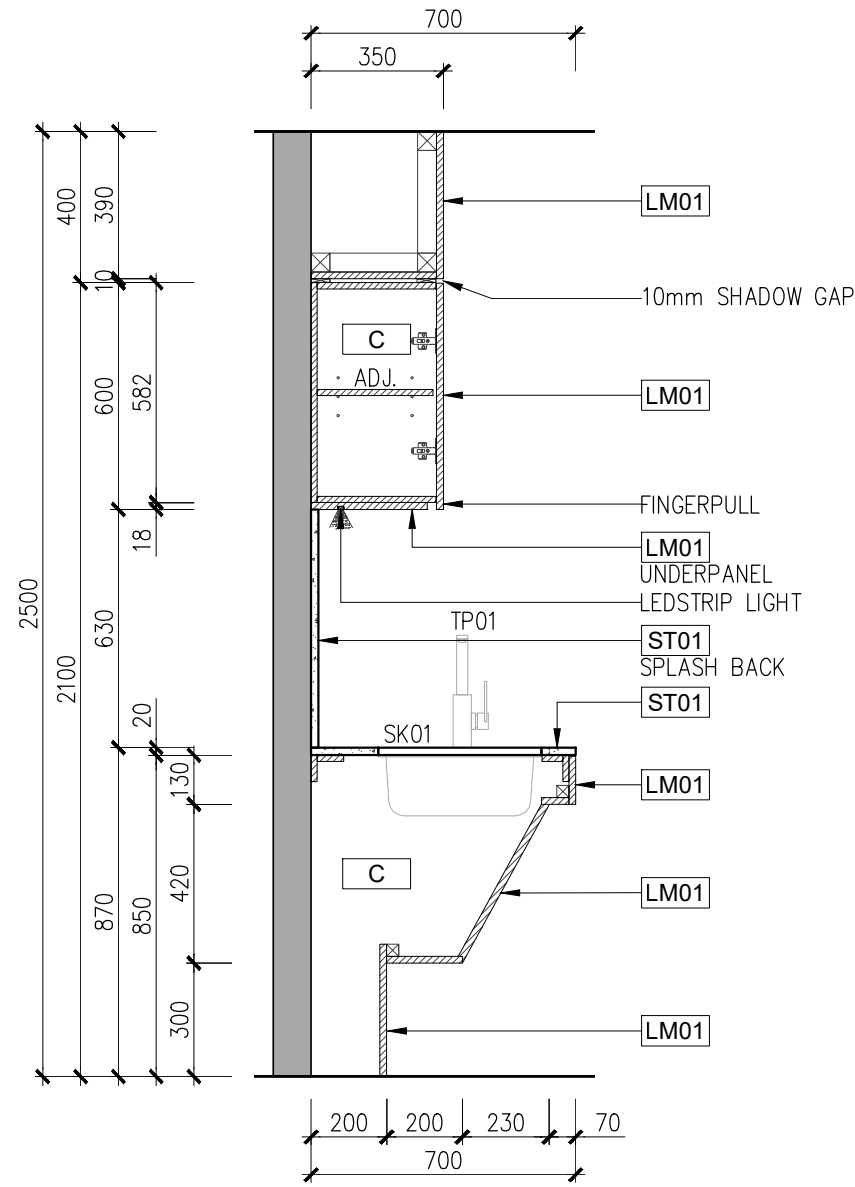
5 SECTION D
SCALE 1:20



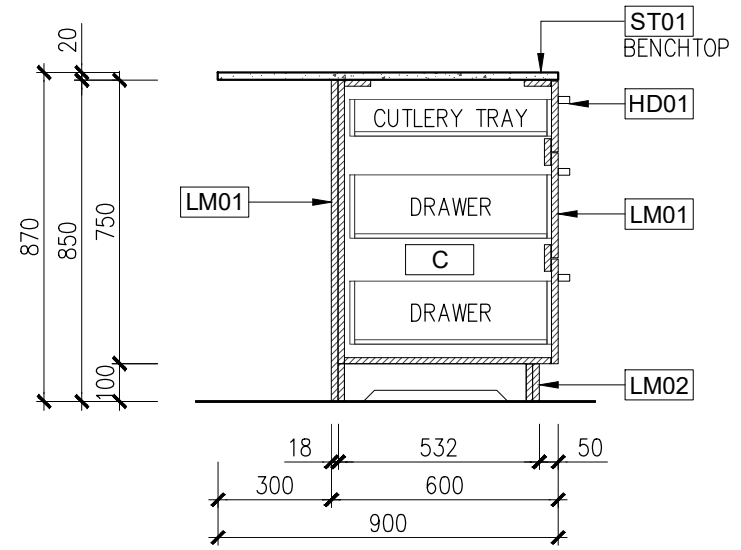
6 SECTION A
SCALE 1:20



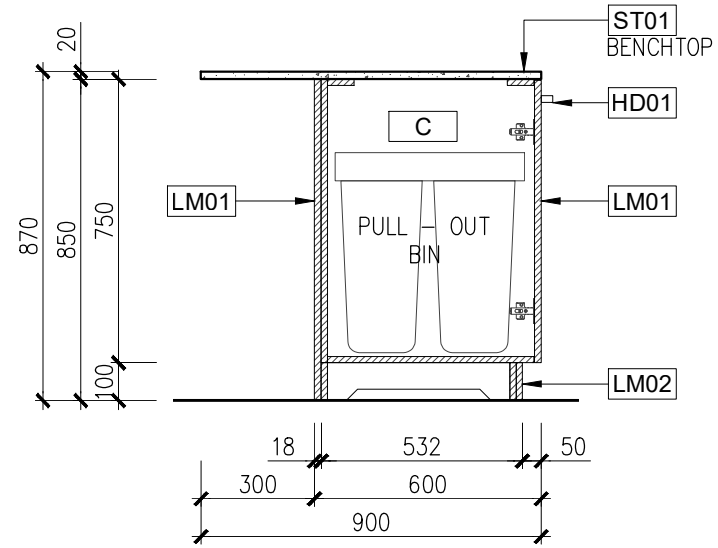
DRAWING SCHEDULE			Project:		Job Number:
No.	Revision	Date	AUSTRALIAN ORGAN & TISSUE AUTHORITY		
0	NEW DRAWING	04-10-23			
1	REVISIONS	11-10-23			
			Location: Level 3, Childers Street., Canberra, ACT, 2600		
			Description: J02 Breakout		Date: 11-10-23
			Issue:		Scale: 1:20@A3
					Drawn by: LBL
					Drawing Number: 1.3



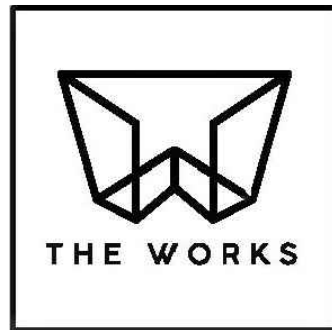
7 SECTION B
SCALE 1:20



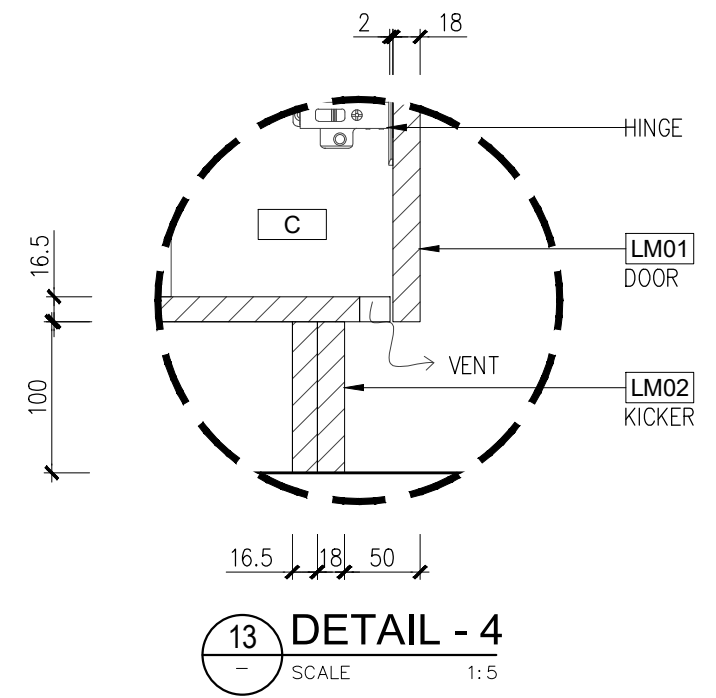
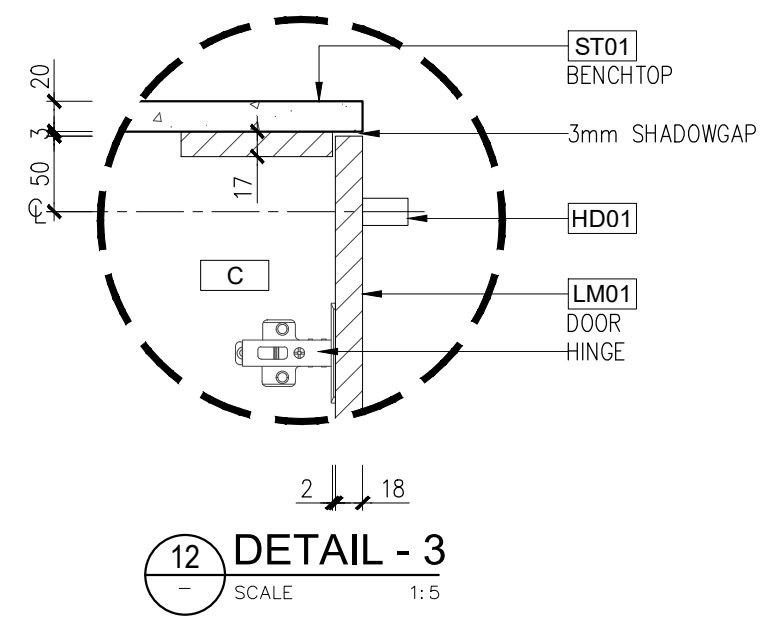
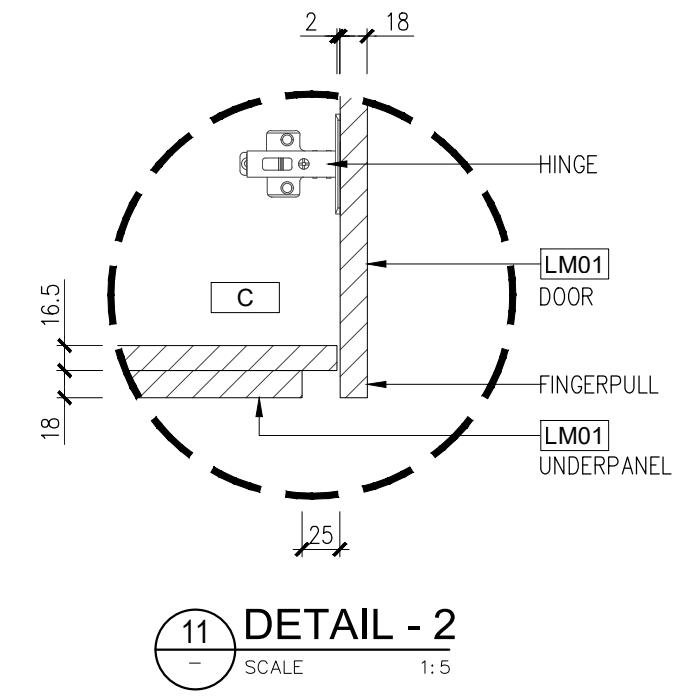
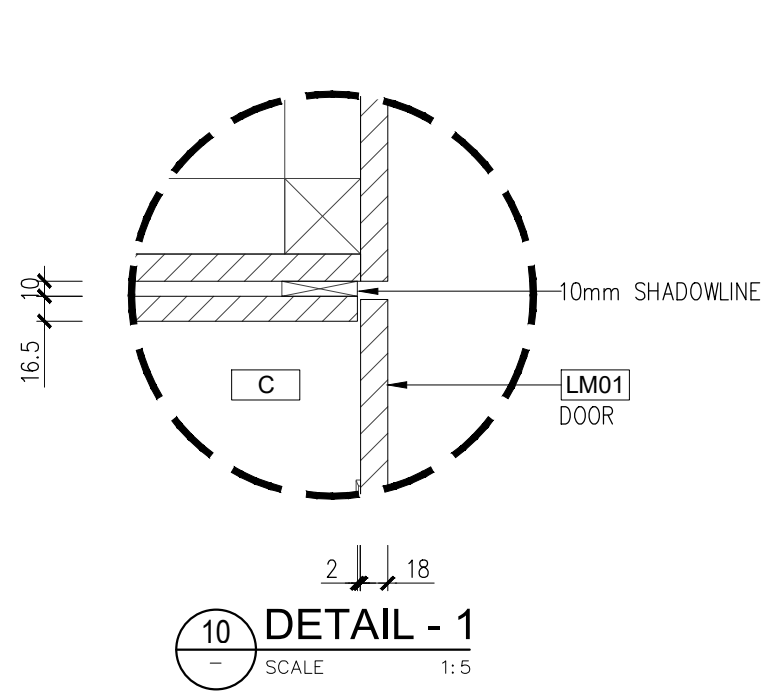
8 SECTION E
SCALE 1:20



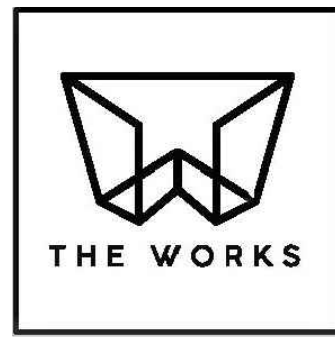
9 SECTION F
SCALE 1:20



DRAWING SCHEDULE			Project:		Job Number:
No.	Revision	Date	AUSTRALIAN ORGAN & TISSUE AUTHORITY		
0	NEW DRAWING	04-10-23			
1	REVISIONS	11-10-23	Location: Level 3, Childers Street., Canberra, ACT, 2600		
			Description: J02 Breakout		Date: 11-10-23
			Issue:		Scale: 1:20@A3
					Drawn by: LBL
					Drawing Number: 1.4



NOTE:
REFER TO ZIP UNIT
DOCUMENTATION
FOR VENT REQ.



DRAWING SCHEDULE			Project:		Job Number:	
No.	Revision	Date	AUSTRALIAN ORGAN & TISSUE AUTHORITY			
0	NEW DRAWING	04-10-23				
1	REVISIONS	11-10-23	Location: Level 3, Childers Street., Canberra, ACT, 2600			
			Description: J02 Breakout		Date: 11-10-23	Scale: 1:5@A3
			Issue:		Drawn by: LBL	Drawing Number: 1.5