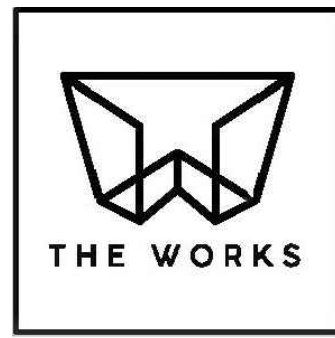
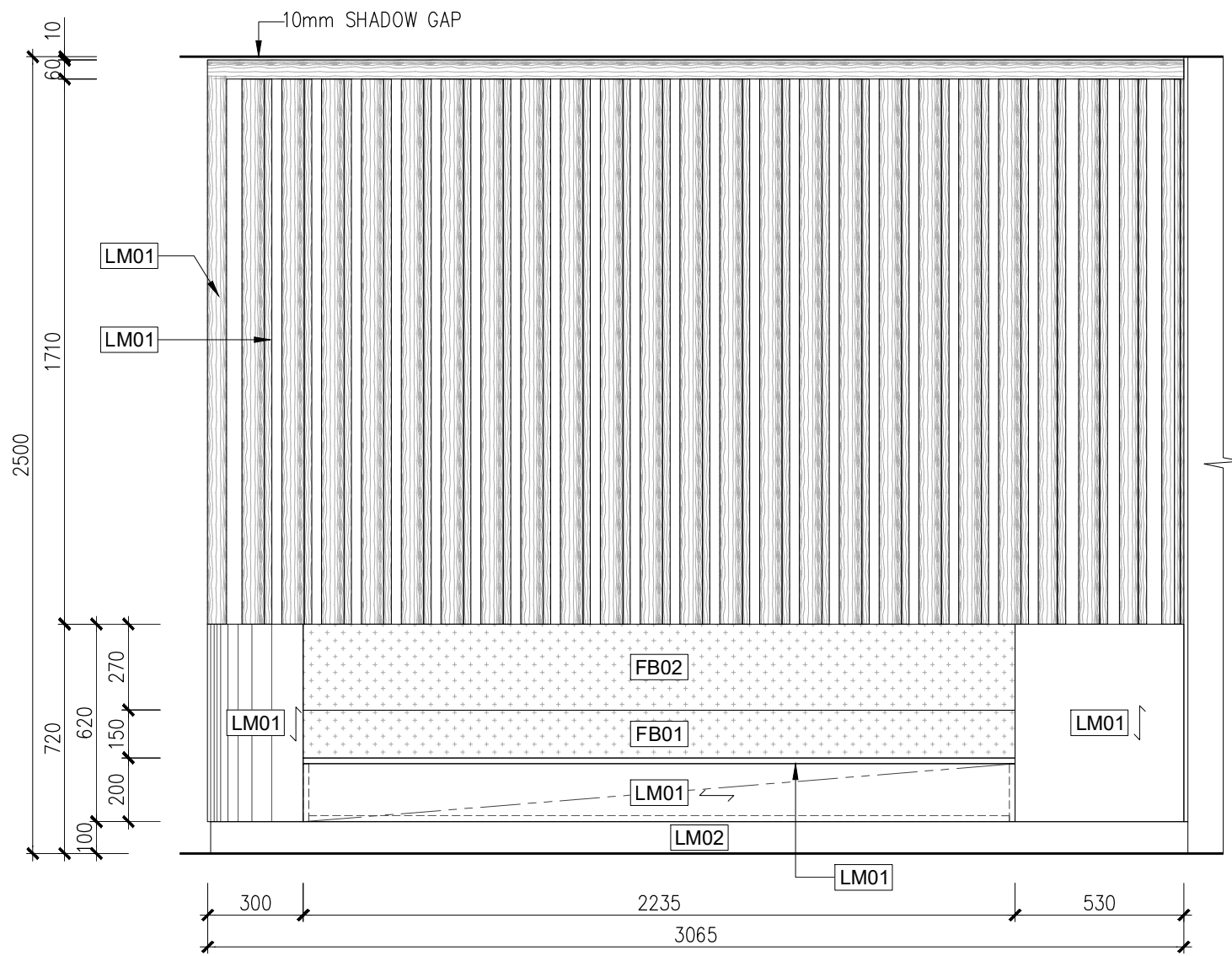


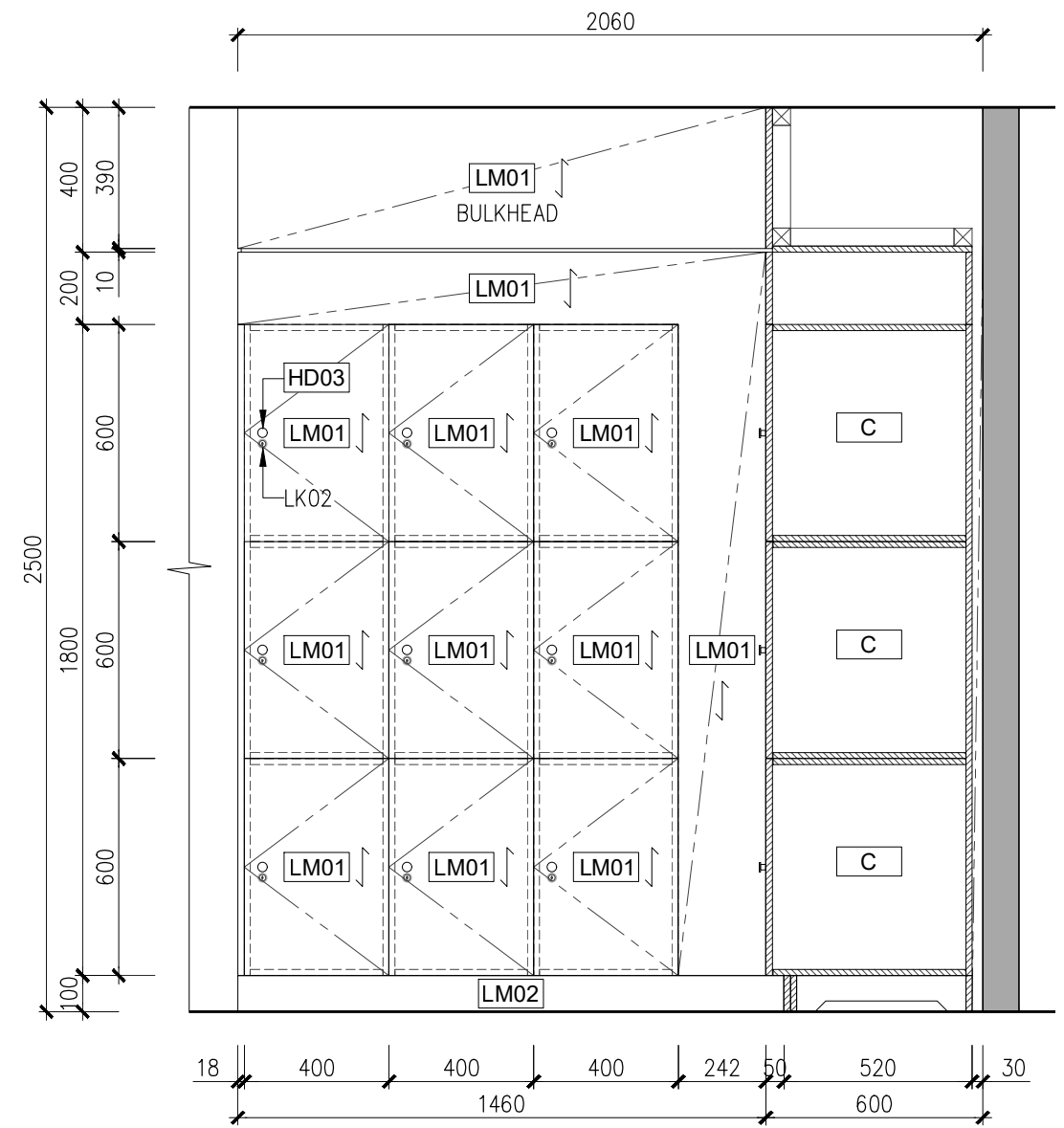
1 J01 ENTRY SCREEN - PLAN  
 - SCALE 1:20



DRAWING SCHEDULE			Project:		Job Number:	
No.	Revision	Date	<b>AUSTRALIAN ORGAN &amp; TISSUE AUTHORITY</b>			
0	NEW DRAWING	04-10-23				
1	REVISIONS	11-10-23	Location: Level 3, Childers Street., Canberra, ACT, 2600			
			Description: J01 Entry Screen		Date: 11-10-2023	Scale: 1:20@A3
			Issue:		Drawn by: LBL	Drawing Number: 1.0



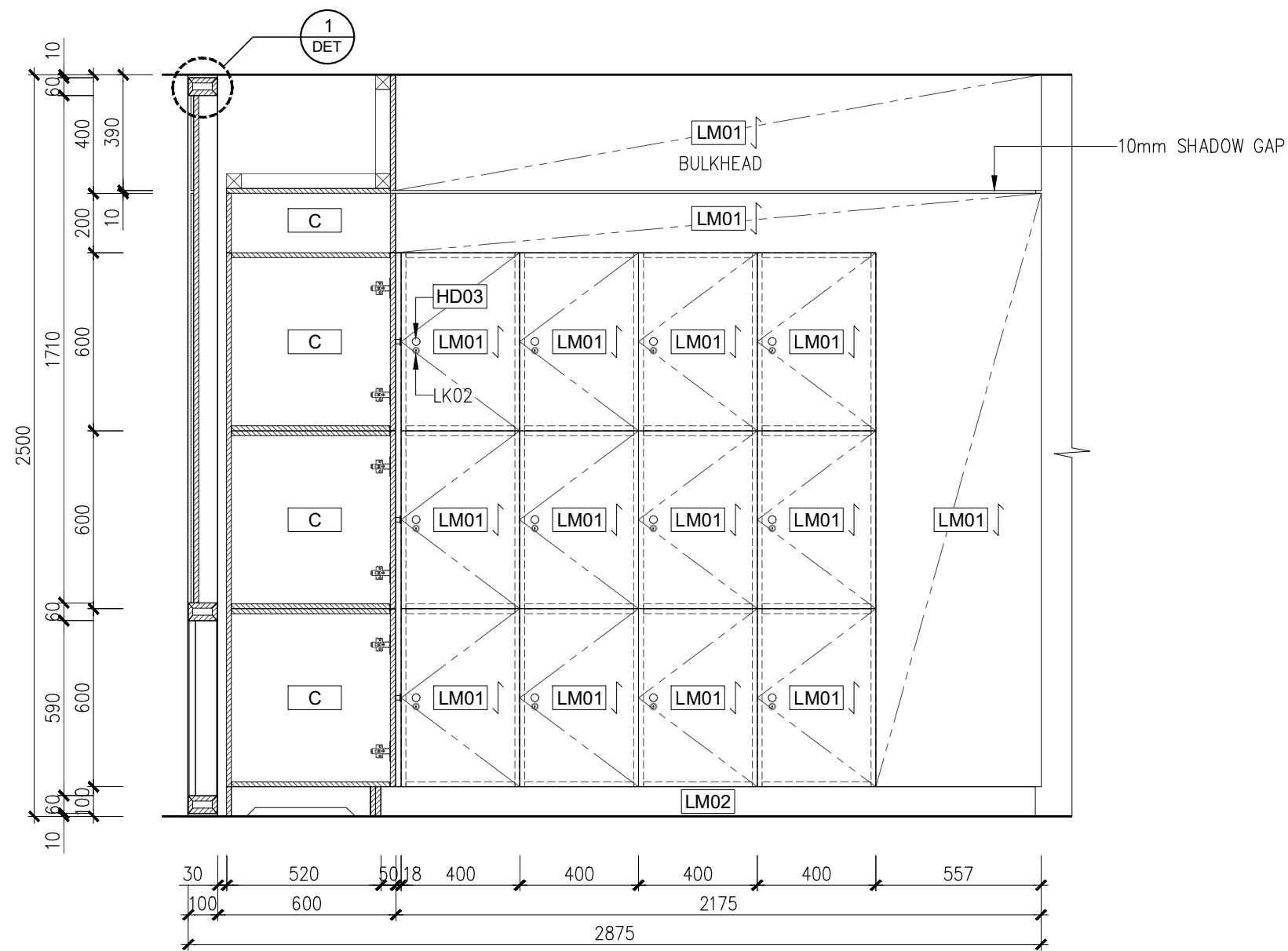
**2 ELEVATION - A**  
SCALE 1:20



**3 ELEVATION - B**  
SCALE 1:20

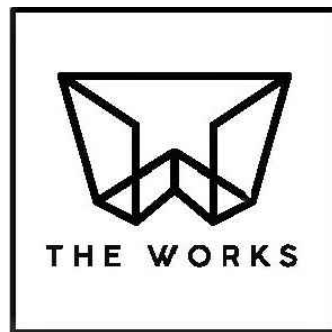


DRAWING SCHEDULE			Project:		Job Number:	
No.	Revision	Date	<b>AUSTRALIAN ORGAN &amp; TISSUE AUTHORITY</b>			
0	NEW DRAWING	04-10-23				
1	REVISIONS	11-10-23	Location: Level 3, Childers Street., Canberra, ACT, 2600			
			Description: J01 Entry Screen		Date: 11-10-2023	Scale: 1:20@A3
			Issue:		Drawn by: LBL	Drawing Number: 1.1

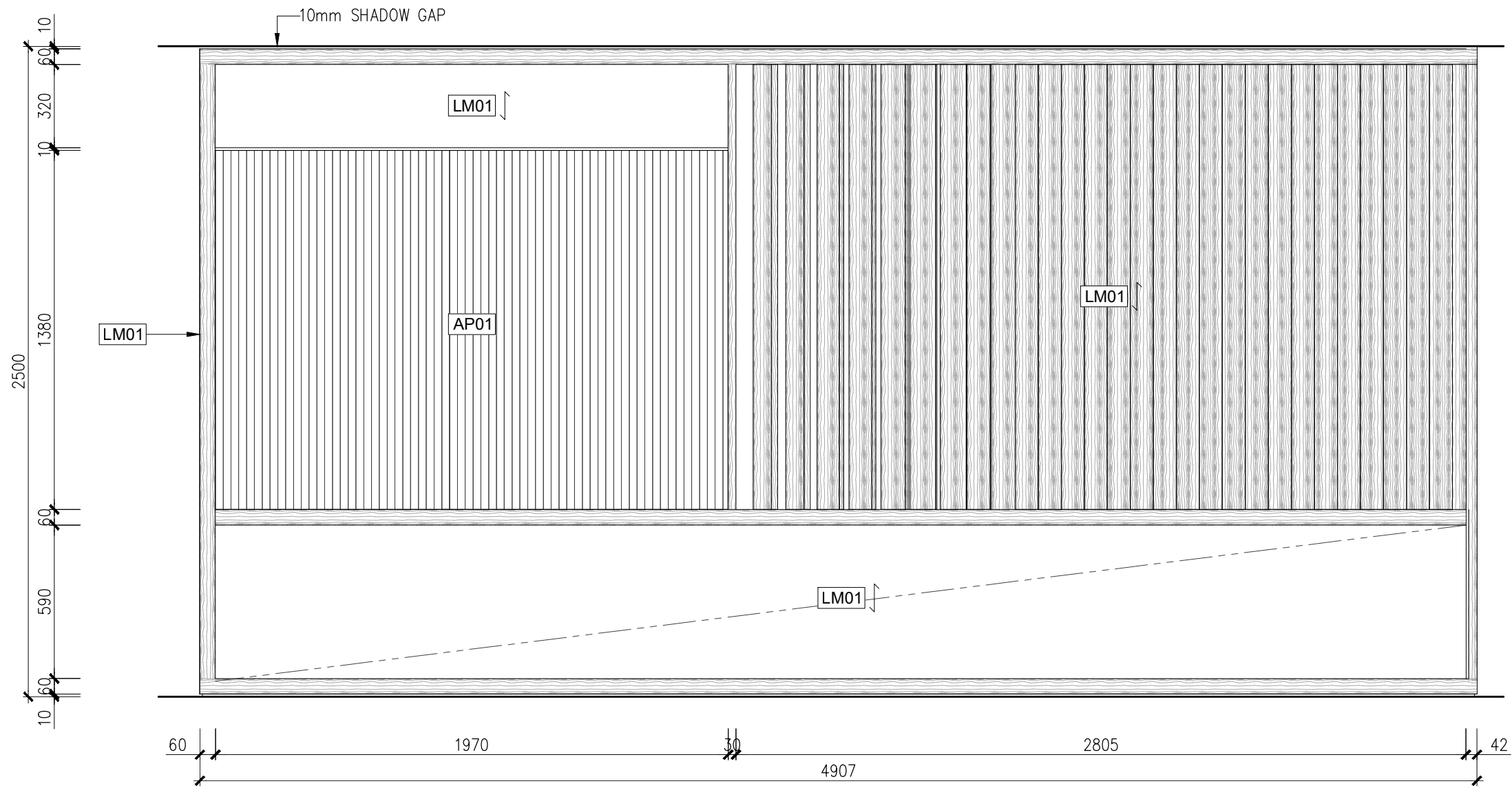


KEY	PART	MATERIALS	EDGING	THICKNESS
C	CARCASS	WHITE MELAMINE	1mm ABS	16.5mm
LM01	DOOR; BULKHEAD; PANEL; FRAMING	POLYTEC; NATURAL OAK; RAVINE FINISH	1mm ABS	18mm 33mm 60mm
LM02	KICKER	LAMINEX; BLACK 460; FLINT FINISH	1mm ABS	18mm
FB01	FABRIC	WOVEN IMAGE; FOCUS; 508		
FB02	FABRIC	CAMIRA; CRAGGAN FLAX; WOLD 15		
AP01	ACOUSTIC PANEL	WOVEN IMAGE; PICO EMBOSSED PANEL; WINE 269; 2800mm (+/-3mm) x1130mm(+/-3mm) x9mm(+/-3mm)		
HD03	HANDLE	MOMO COMO KNOB 26MM; C0168.026.MBL; 26DIAx18D		
LK02	LOCK	HAFELE; CAM LOCK; SYMO; WITH MOUNTING PLATE AND SYMO CYLINDER REMOVABLE CORE (KEYED DIFFERENT)		

4 ELEVATION - C  
SCALE 1:20



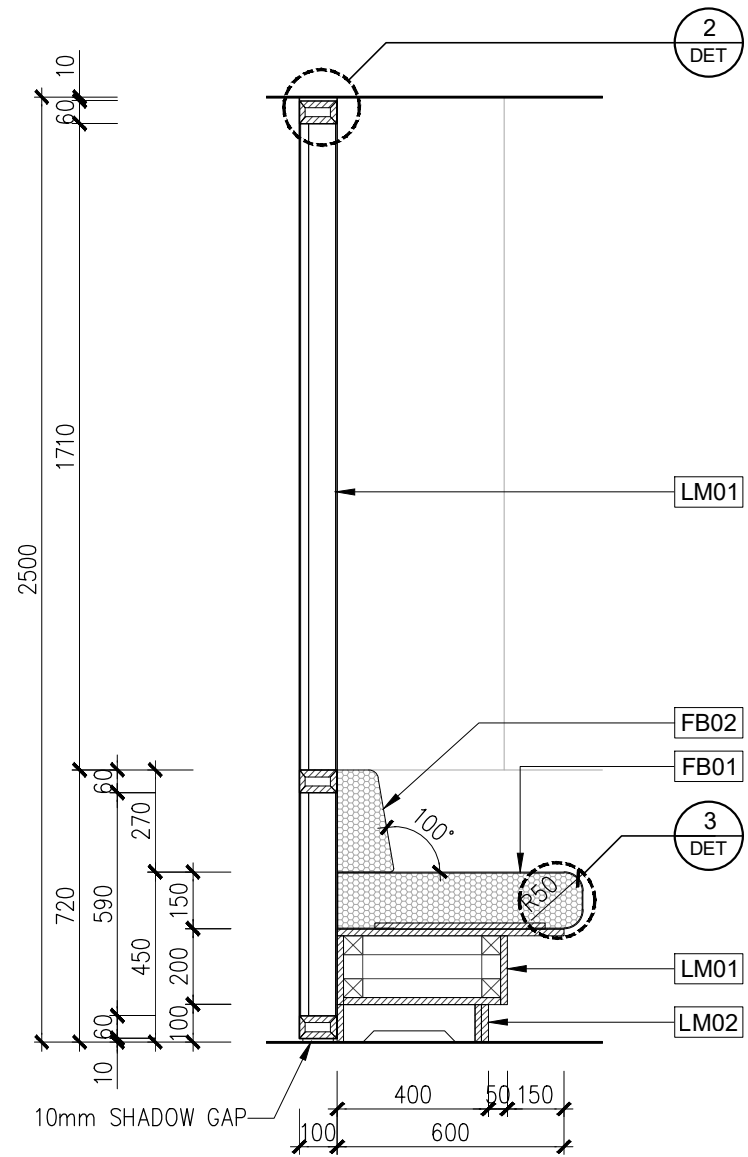
DRAWING SCHEDULE			Project:		Job Number:	
No.	Revision	Date	<b>AUSTRALIAN ORGAN &amp; TISSUE AUTHORITY</b>			
0	NEW DRAWING	04-10-23				
1	REVISIONS	11-10-23	Location: Level 3, Childers Street., Canberra, ACT, 2600			
			Description: J01 Entry Screen		Date: 11-10-2023	Scale: 1:20@A3
			Issue:		Drawn by: LBL	Drawing Number: 1.2



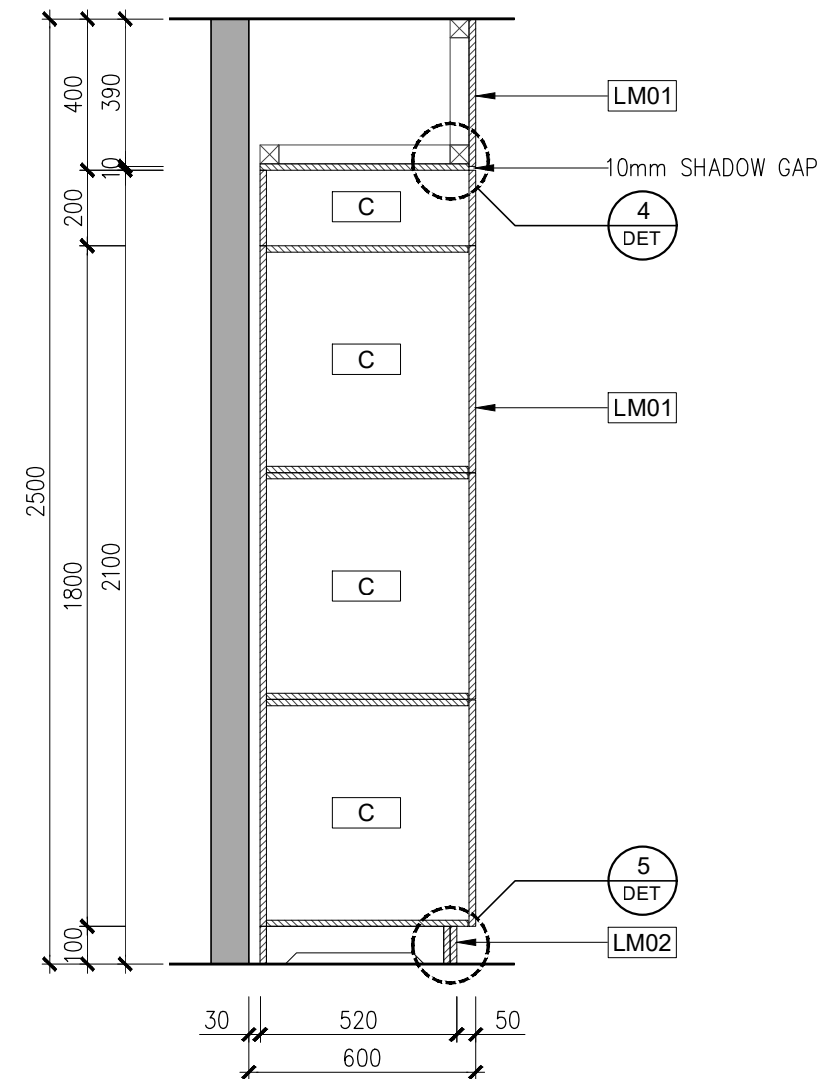
5 ELEVATION - D  
SCALE 1:20



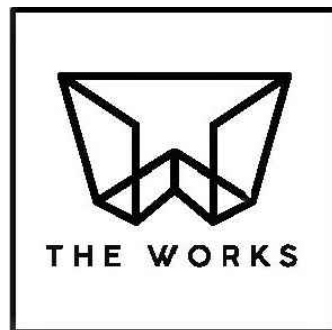
DRAWING SCHEDULE			Project:		Job Number:
No.	Revision	Date	<b>AUSTRALIAN ORGAN &amp; TISSUE AUTHORITY</b>		
0	NEW DRAWING	04-10-23			
1	REVISIONS	11-10-23	Location: Level 3, Childers Street., Canberra, ACT, 2600		
			Description: J01 Entry Screen	Date: 11-10-2023	Scale: 1:20@A3
			Issue:	Drawn by: LBL	Drawing Number: 1.3



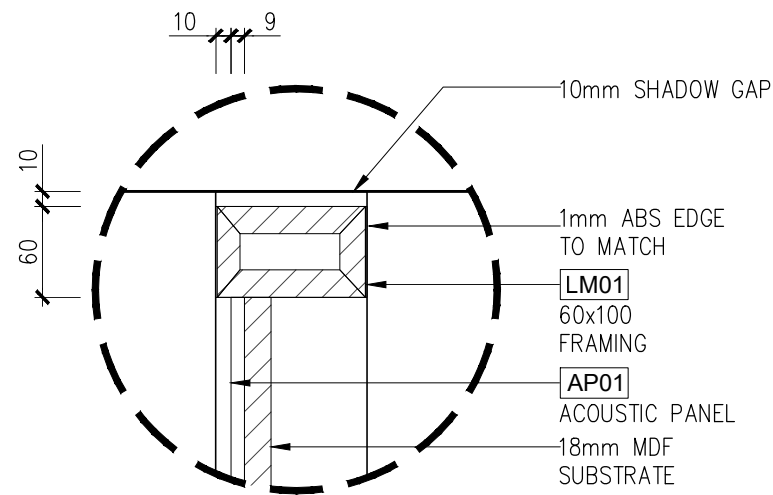
**6 SECTION - A**  
SCALE 1:20



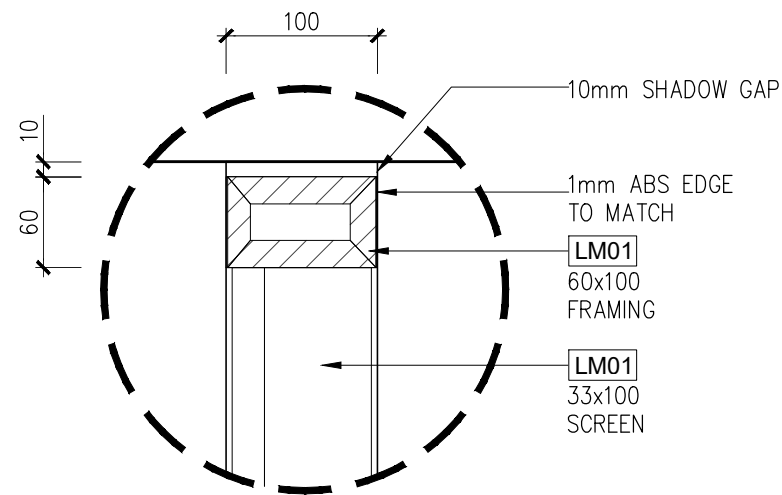
**7 SECTION - B**  
SCALE 1:20



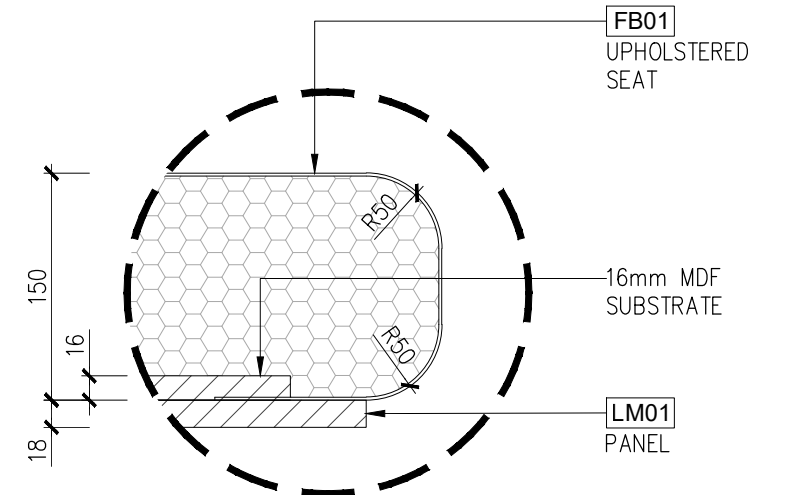
DRAWING SCHEDULE			Project:		Job Number:	
No.	Revision	Date	<b>AUSTRALIAN ORGAN &amp; TISSUE AUTHORITY</b>			
0	NEW DRAWING	04-10-23				
1	REVISIONS	11-10-23	Location: Level 3, Childers Street., Canberra, ACT, 2600		Scale: 1:20@A3	
			Description: J01 Entry Screen		Date: 11-10-2023	
			Issue:		Drawn by: LBL	Drawing Number: 1.4



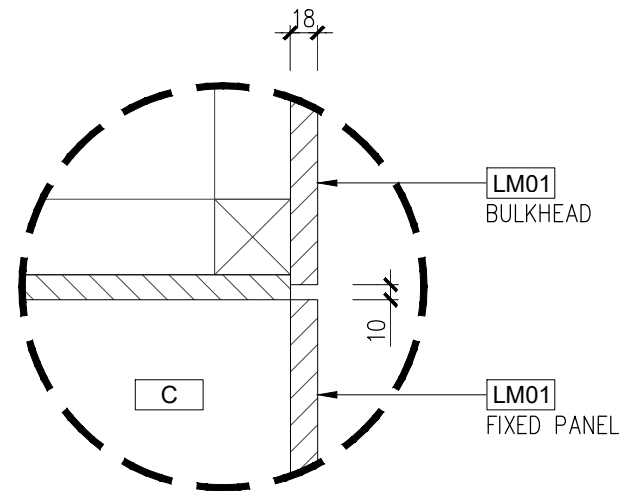
8 DETAIL - 1  
SCALE 1:5



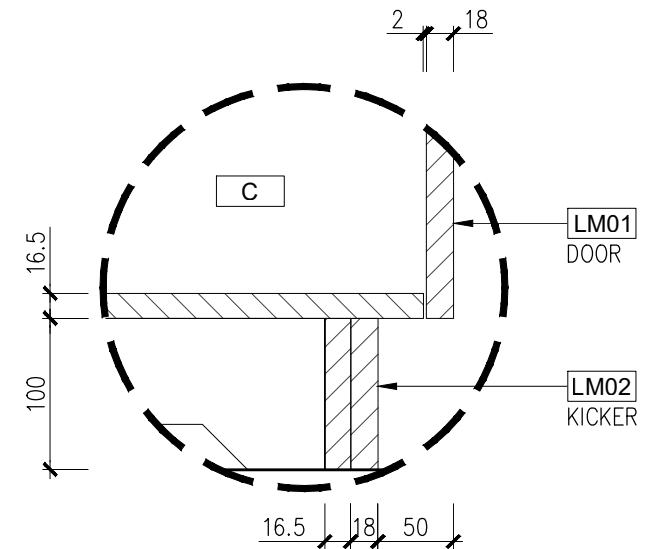
9 DETAIL - 2  
SCALE 1:5



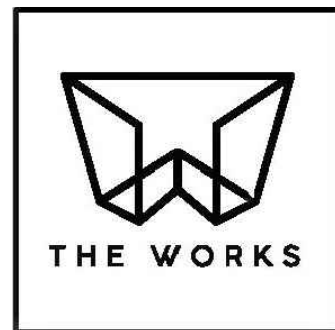
10 DETAIL - 3  
SCALE 1:5



11 DETAIL - 4  
SCALE 1:5



12 DETAIL - 5  
SCALE 1:5



DRAWING SCHEDULE			Project:		Job Number:	
No.	Revision	Date	<b>AUSTRALIAN ORGAN &amp; TISSUE AUTHORITY</b>			
0	NEW DRAWING	04-10-23				
1	REVISIONS	11-10-23	Location:		Date: 11-10-2023	
			Level 3, Childers Street., Canberra, ACT, 2600		Scale: 1:5@A3	
			Description:		J01 Entry Screen	
			Issue:		Drawn by: LBL	
					Drawing Number: 1.5	